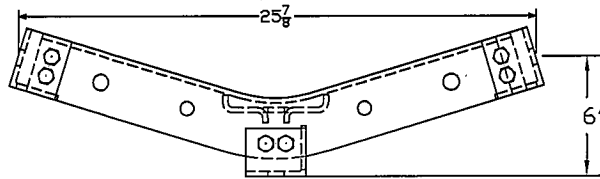
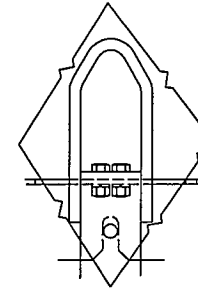
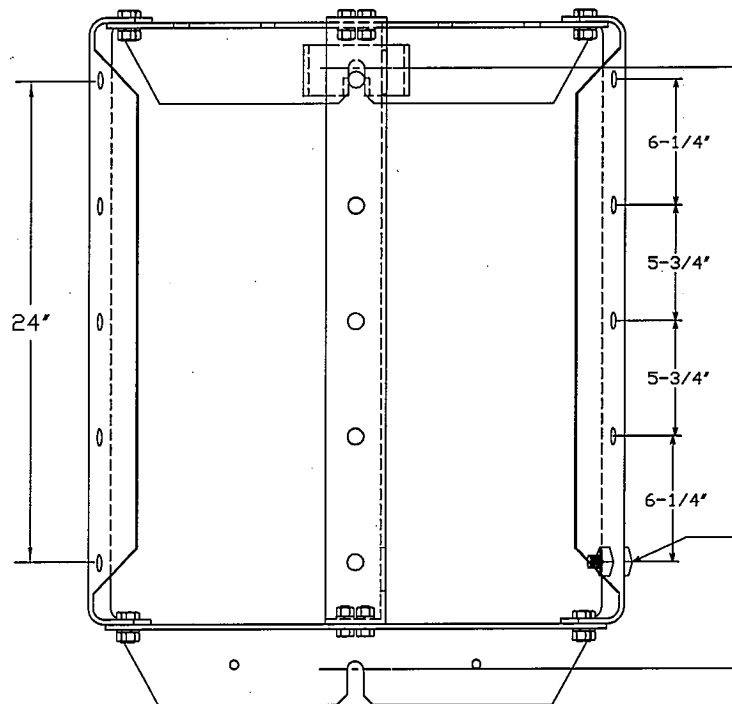


# -NOTES-

1. MATERIAL: GALVANIZED STEEL.



29 7/8 POLE BOLT SPACING



VIEW OF LIFTING EYE  
CAT. NO. T212-0225


CATALOG NO. C212-0144

SIX- 5/8" DIA. X 2-1/2" LG. &  
SIX- 3/4" DIA. X 2-1/2" LG. BOLTS  
& NUTS SUPPLIED WITH EACH ASSEMBLY.

16796	1/12/06	DVH	HAMILTON
EC #	DATE	CHG BY	RESP ENG
DESC OF DVG: ADD 6 INCH DIM		AREAS AFFECTED BY LATEST EC	
REASON (S) FOR CHANGE: UPDATE CLARITY		S.P.C. - Y X	
DISPOSITION OF MAT'L: USE		F.A.I. - X X	
		TOOL/EQUIP - X X	
		SUPPLIER - X X	
		GAUGES - X X	
		PRCS PROC - X X	
		PKG/LABEL - X X	
		INSP/TEST - X X	

**CHANCE**  
TOLERANCE CHART  
X \* .060 FRACTIONAL ANGLES ±2°  
XX \* .030 ADD DRAFT (UNLESS NOTED)  
XXX \* .005 CASTING 3° FORGINGS 7°

CONFIDENTIAL: THIS DRAWING AND ITS CONTENTS ARE CONFIDENTIAL AND THE EXCLUSIVE PROPERTY OF HUBBELL POWER SYSTEMS. NO PUBLICATION, DISTRIBUTION OR COPIES MAY BE MADE WITHOUT THE WRITTEN CONSENT OF HUBBELL POWER SYSTEMS.  
HUBBELL POWER SYSTEMS UNPUBLISHED  
ALL RIGHTS RESERVED UNDER THE COPYRIGHT LAWS.

 HUBBELL POWER SYSTEMS			
TITLE RACK TT TYPE TRANSFORMER MOUNTING			
SIZE	DWG NO.	CAT / PART / ASSY NO.	REV
B	SA212-0144	SA212-0144	C
DO NOT SCALE THIS DRAWING	DRN BY	QUALS	DATE 10/20/92 SHEET 10F1